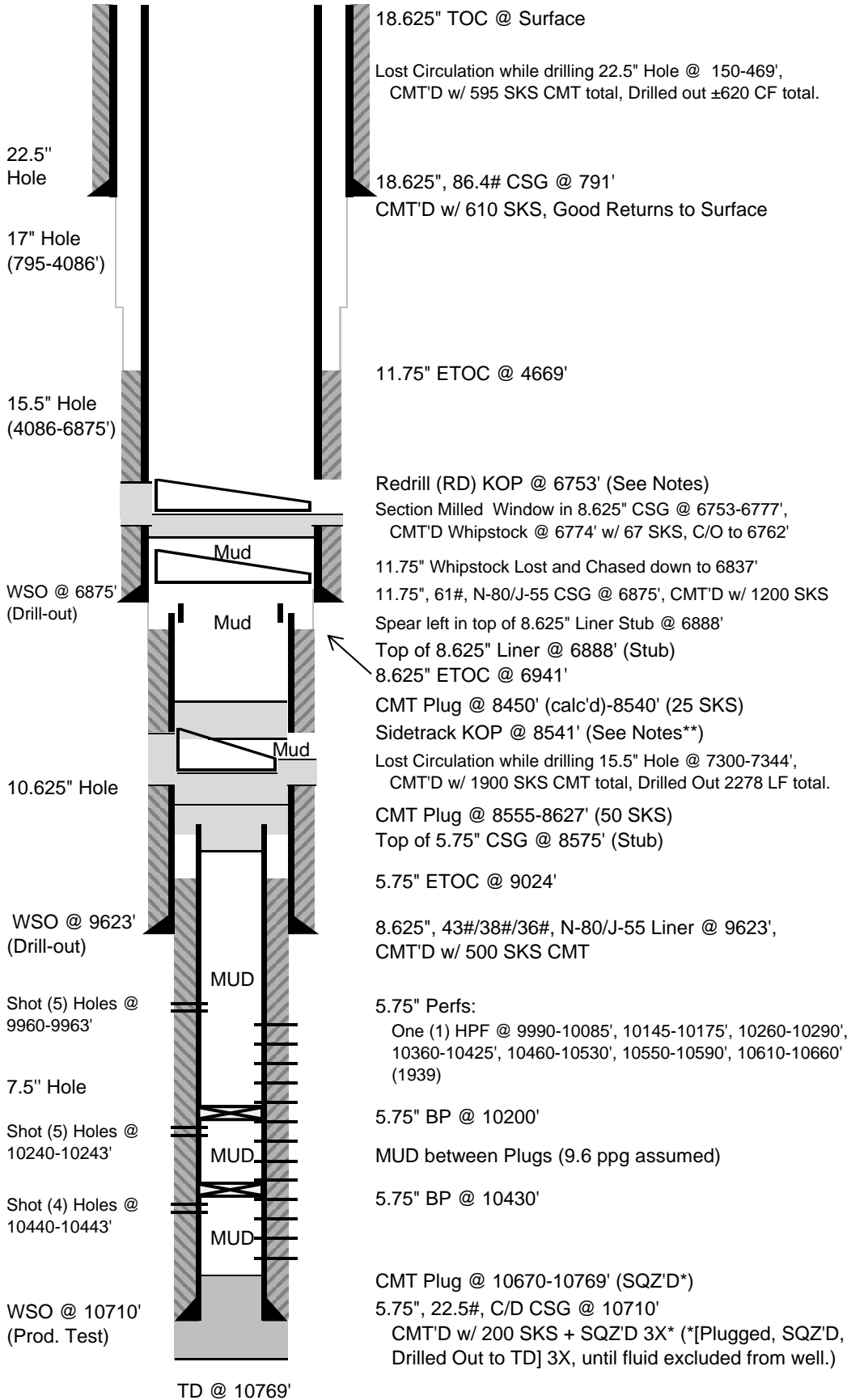


Well Example OH

API #: 00-000-00000-00
Sec 00, T0N, R00W



Operator:

Lease:

Well Type: Producer

Status: Redrilled

Flood: ESDB

Base of Fresh Water: No

Directional: No

Elevation: DF 1021.25' asl

Datum to GL: Not Reported

Drill Date: 9/23/1939

Redrill Kick-off Date: 3/26/1948

Junk: See junk descriptions @ 6837' & 6888' on diagram.

Notes

Schematic depicts state of well on 3/26/1948 (RD kick-off date.) See RD for current state of well above 6753'

**Section Milled Window in 8.625" CSG @ 8514-8539', Set Whipstock @ 8554', pumped in 100 SKS CMT. Sidetracked Whipstock @ 8541' TD @ 8771' (7.625" Hole, Mud) Plugged back from 8540' (25 SKS)

Top of Zone Markers

| | |
|------------|-------------|
| A-A 2033' | AB-C 6499' |
| B-A 2194' | AC-C 6545' |
| C-A 2375' | AD-C 6626' |
| D-A 2478' | AE-C 6713' |
| E-A 2620' | AGa-C 6865' |
| F-A 2793' | AH-C 7000' |
| G-A 2952' | AK-C 7162' |
| H-A 3063' | AL1-C 7273' |
| J-A 3172' | AM-C 7382' |
| L-A 3270' | AO-C 7542' |
| M1-A 3356' | AP-C 7710' |
| N-A 3514' | AQ-C 7740' |
| O-A 3623' | AQ1-C 7780' |
| P-A 3807' | AR-C 7876' |
| F-C 4029' | AS-C 7950' |
| G-C 4187' | AT-C 8222' |
| H-C 4305' | AU-C 8340' |
| J-C 4410' | AU1-C 8542' |
| L-C 4500' | AV-C 8629' |
| M1-C 4597' | AX-C 8843' |
| N-C 4747' | DL-C 9470' |
| O-C 4853' | DS-C 9794' |
| P-C 5022' | AV-D 9890' |
| R1-C 5135' | AX-D 9974' |
| R0-C 5303' | DA-D 9997' |
| S-C 5395' | DC-D 10140' |
| S0-C 5503' | DD-D 10172' |
| Ua-C 5675' | DF-D 10233' |
| U-C 5724' | DH-D 10334' |
| V-C 5885' | DL-D 10455' |
| W-C 6068' | DO-D 10545' |
| Y-C 6169' | DP-D 10610' |
| Za-C 6232' | DR-D 10660' |
| AA-C 6400' | DS-D 10715' |

Prepared by: CM (10/16/2013)